



Innovative Technology

POWERING TRANSACTIONS AND INTERACTIONS



NV200 Spectral

"The most technically advanced note validator in its class"

- 100% note image capture
- 4.8 million datapoints
- 99%+ first time acceptance of new & street grade notes
- Stained note detection
- 2 second note to note processing
- Modular design - recycler or ticket printer available



FEATURES

- Full spectral imaging sensors validate the authenticity of notes
- Optical & mechanical anti-strimming technology
- 2 seconds note to note processing time
- 4 way barcode acceptance
- Note centering mechanism
- Internal memory for data logging and SD card for simple updates



BENEFITS

- Unrivalled genuine note detection & protection against fraudulent notes
- Outstanding fraud protection
- Speeds up transaction time & operator profitability
- Increases ticket acceptance rates & user satisfaction
- Exceptional note handling & reliability
- Best in class performance & future proof your investment



Technical Specification

Power

Requirements: 12/24V
Standby: 350/200mA
Running: 1.5A
Peak: 3.5A

Protocols

SSP
*others on request

MCBF

200,000

Interfaces

USB 2.0
RS232
Open collector
Opto-isolated

Note Dimensions

Width: 60 - 85mm
Length: 115 - 170mm

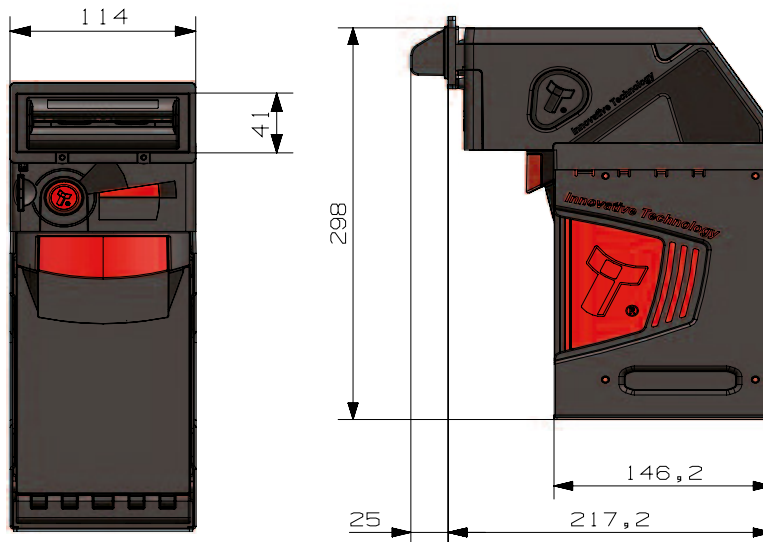
Cashbox Options

500 notes 2200 notes
1000 notes Freefall

** Some national currencies differ in thickness and circulation practices. Depending on usage, this can impact cashbox capacities by 10-15%.

Bezel Options

Standard
Coin resistant (not metal)
Self aligning
Various illumination options



- Weight: 3.2kg



Find Us

Head Office

Innovative Technology Ltd (UK)
Innovative Business Park
Derker Street
Oldham
OL1 4EQ



Telephone

+44 (0) 161 626 9999



Email

sales@innovative-technology.com